

FIGURE 1

FIGURE 1

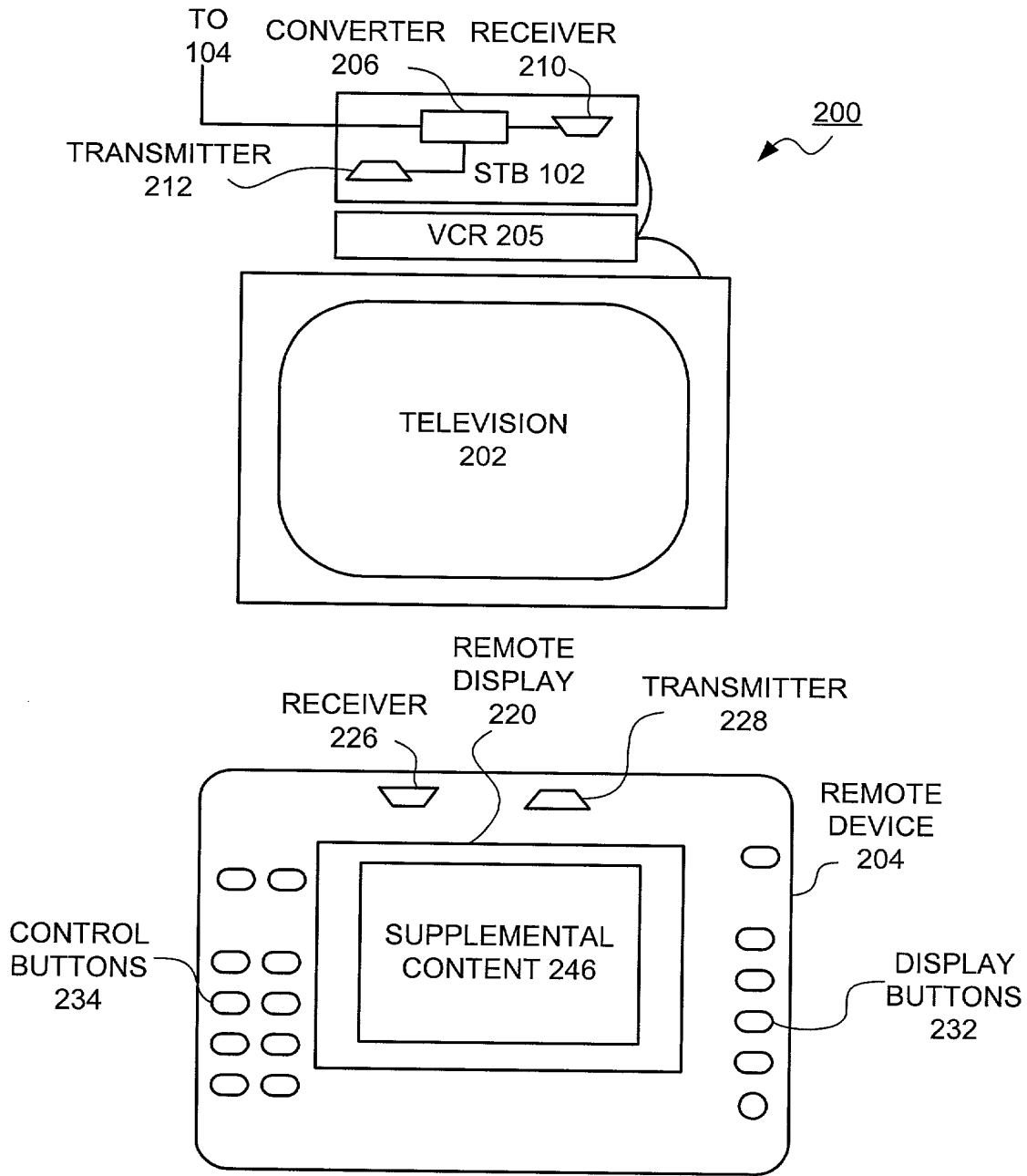


FIGURE 2

Patent for Patent

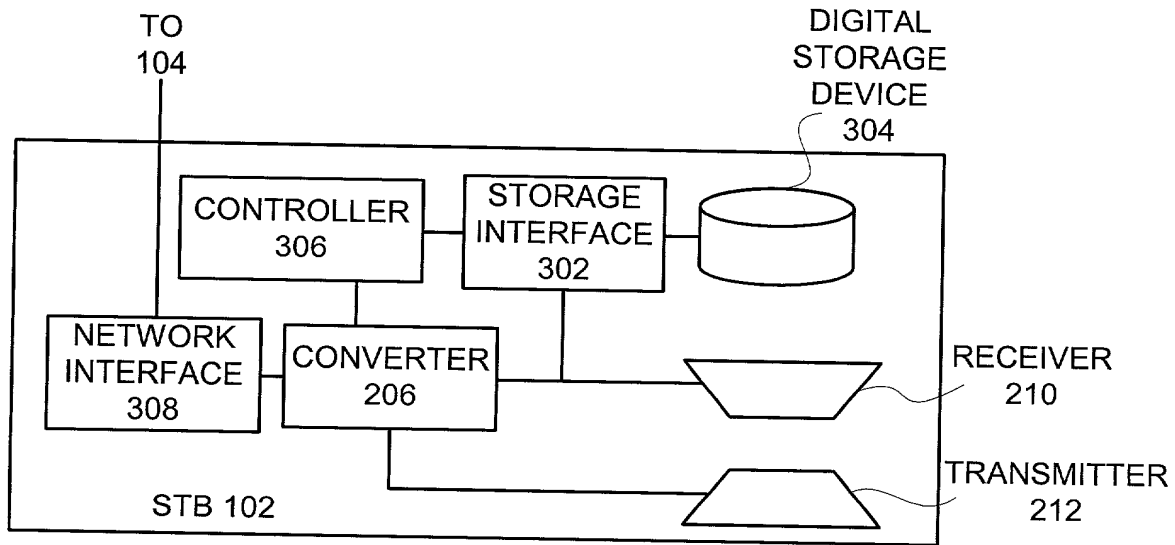


FIGURE 3

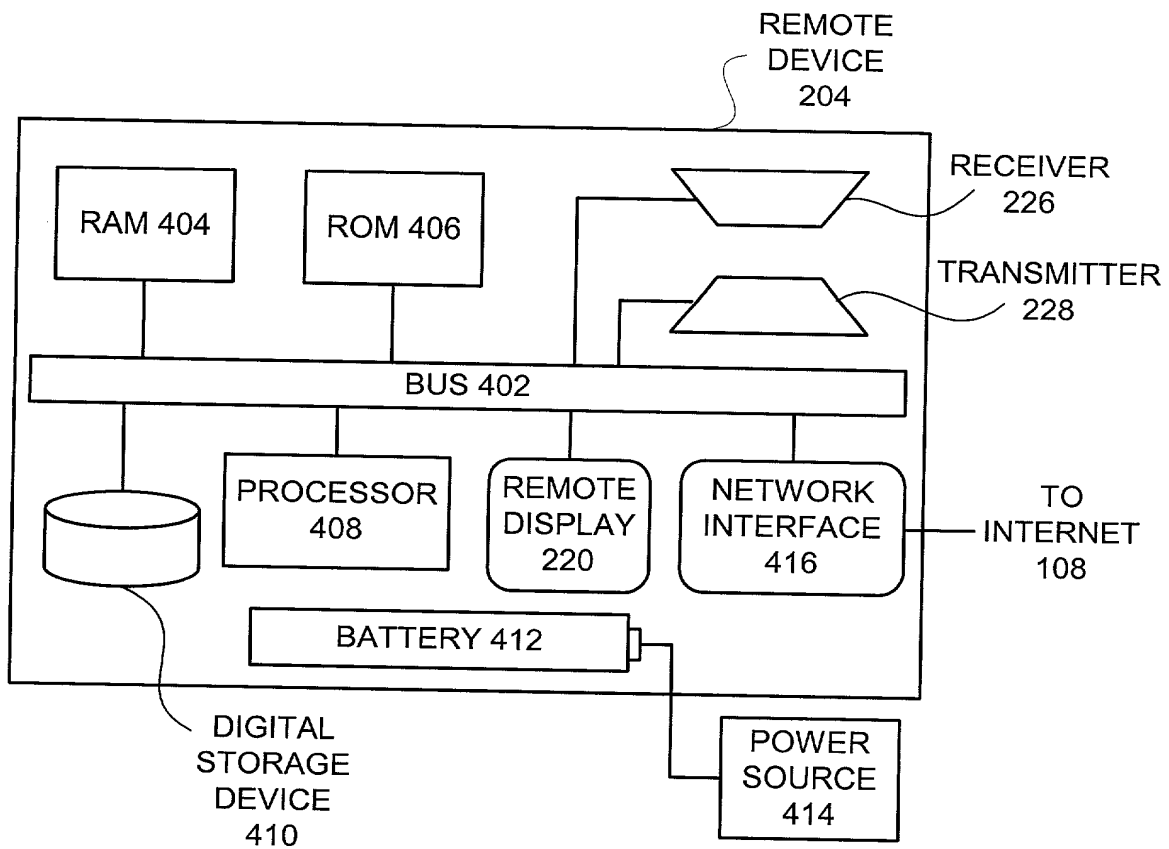


FIGURE 4

FOR PUBLICATION

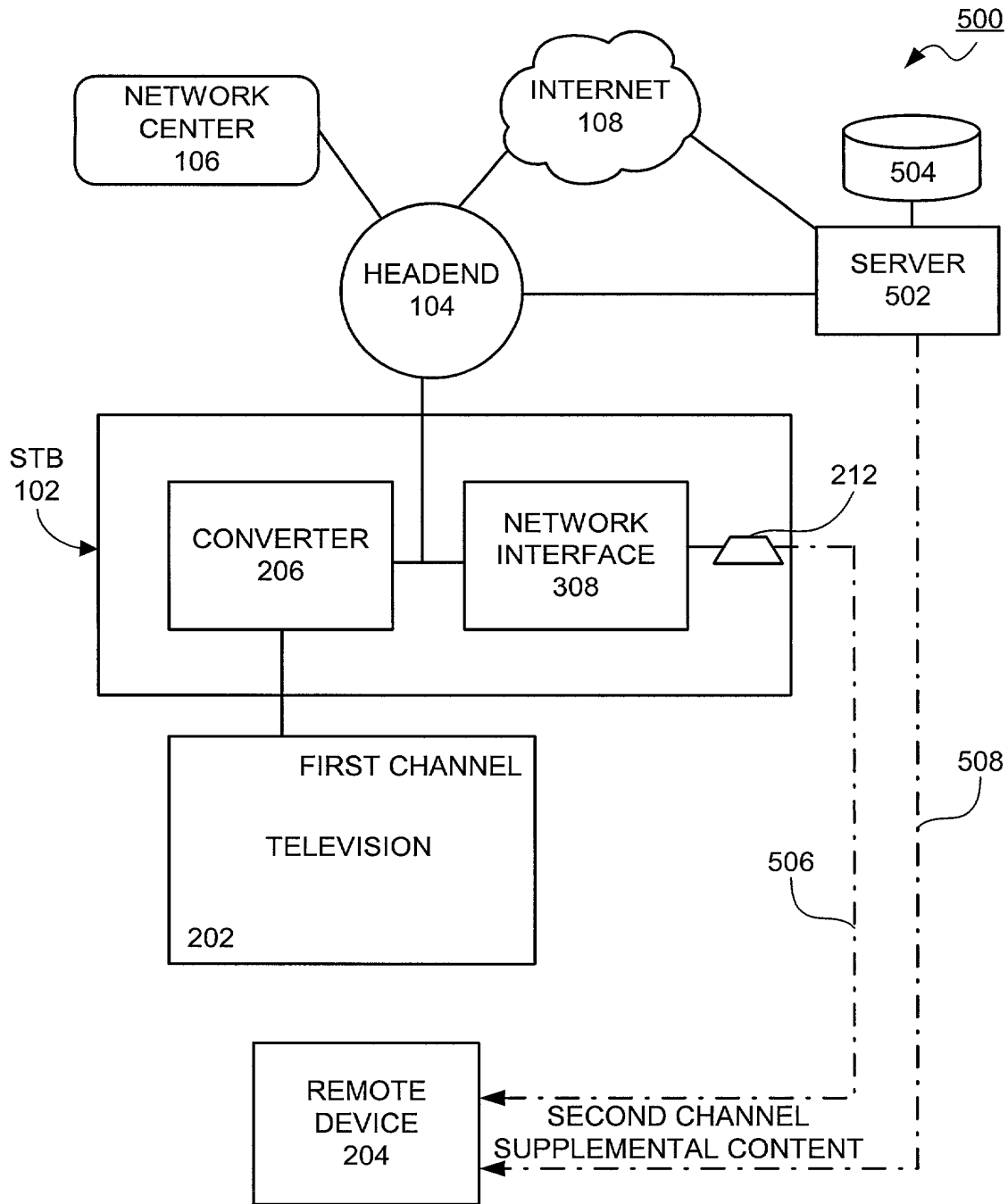


FIGURE 5

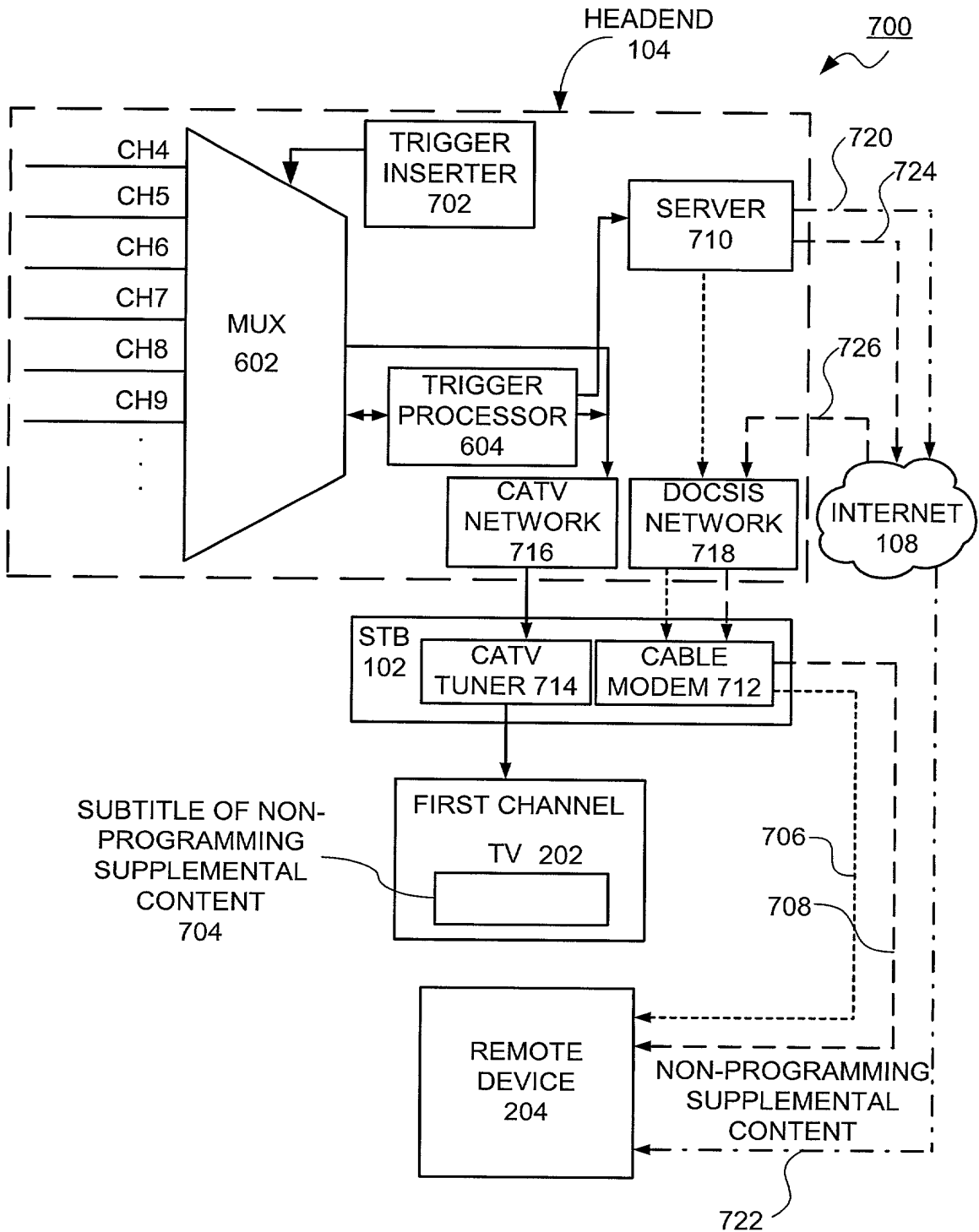


FIGURE 7

TOP SECRET

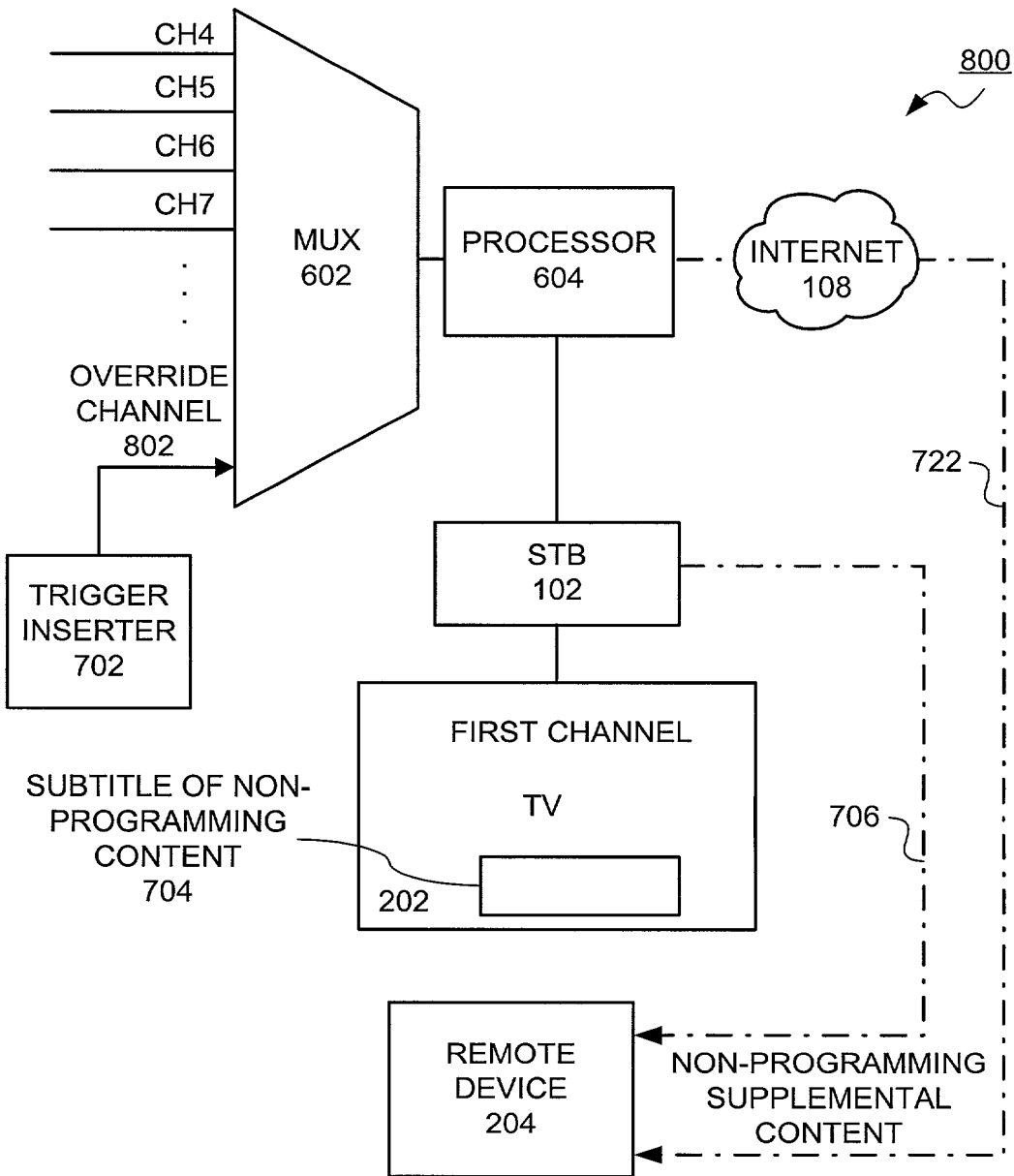


FIGURE 8A

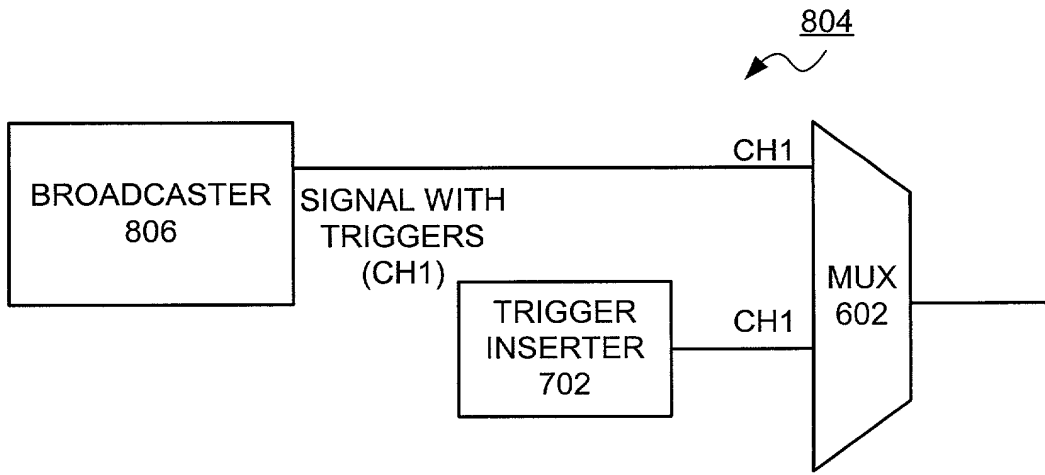


FIGURE 8B

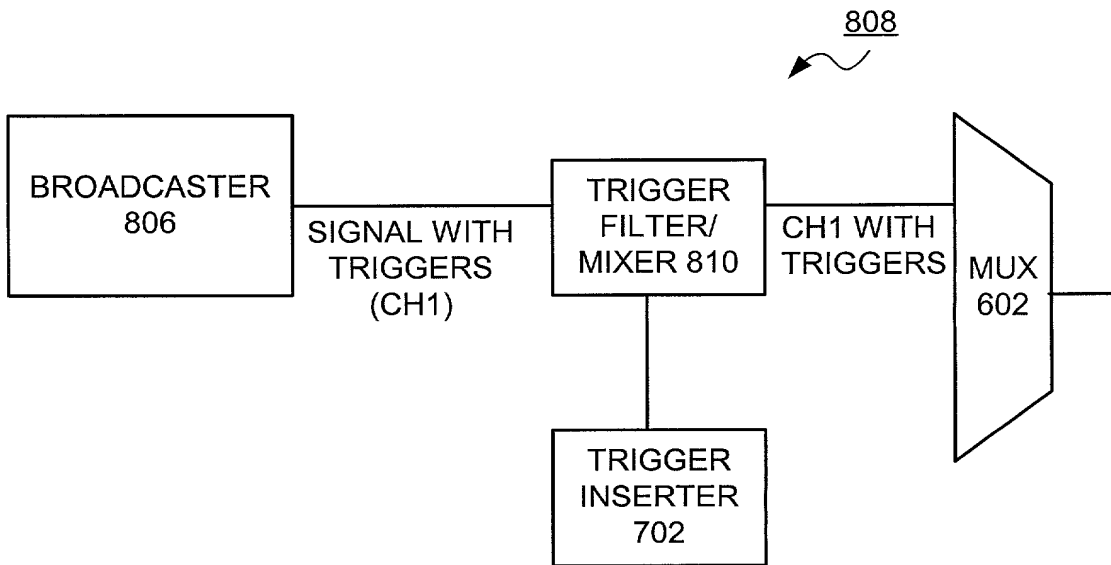


FIGURE 8C

FIGURE 8A

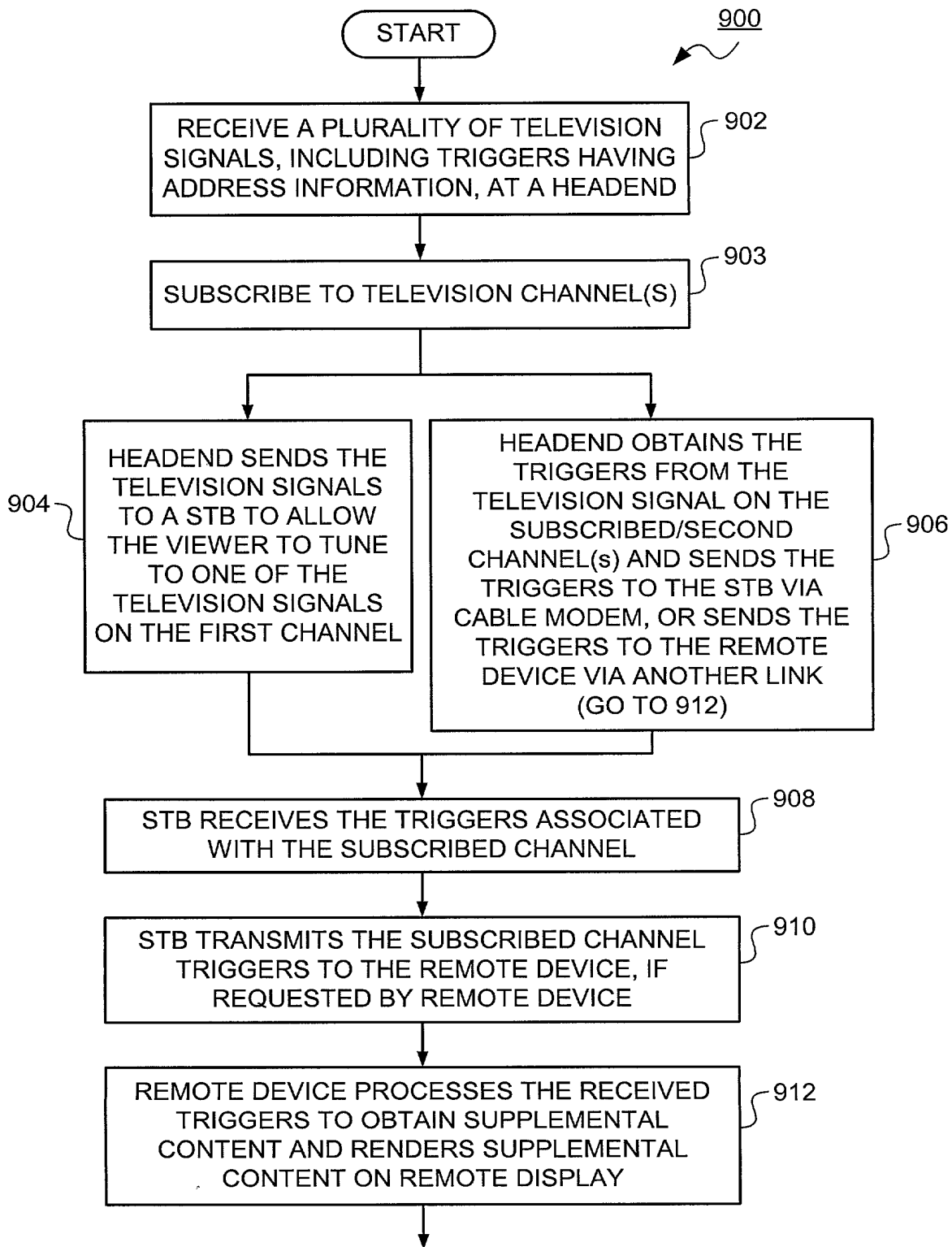


FIGURE 9

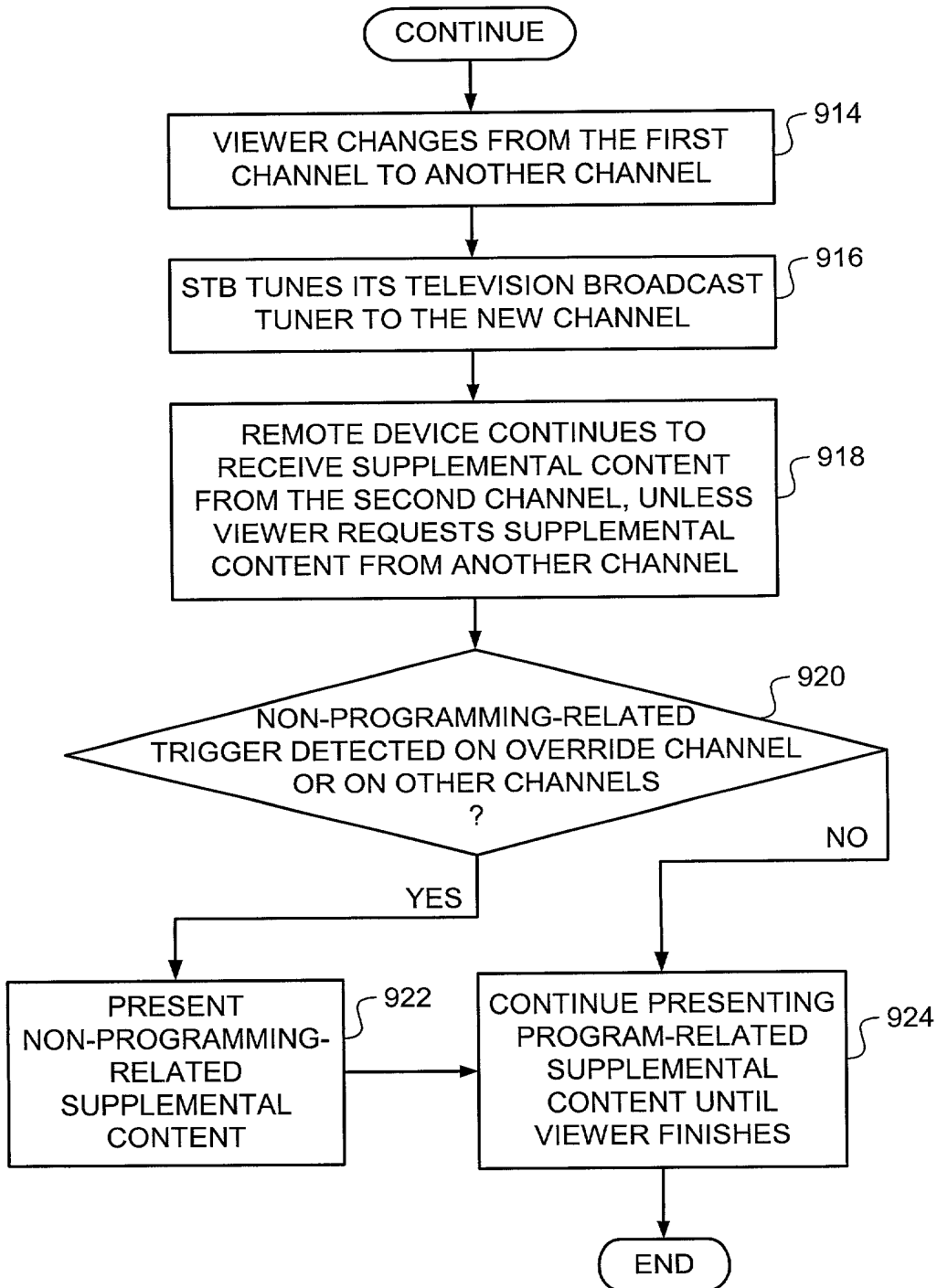


FIGURE 10